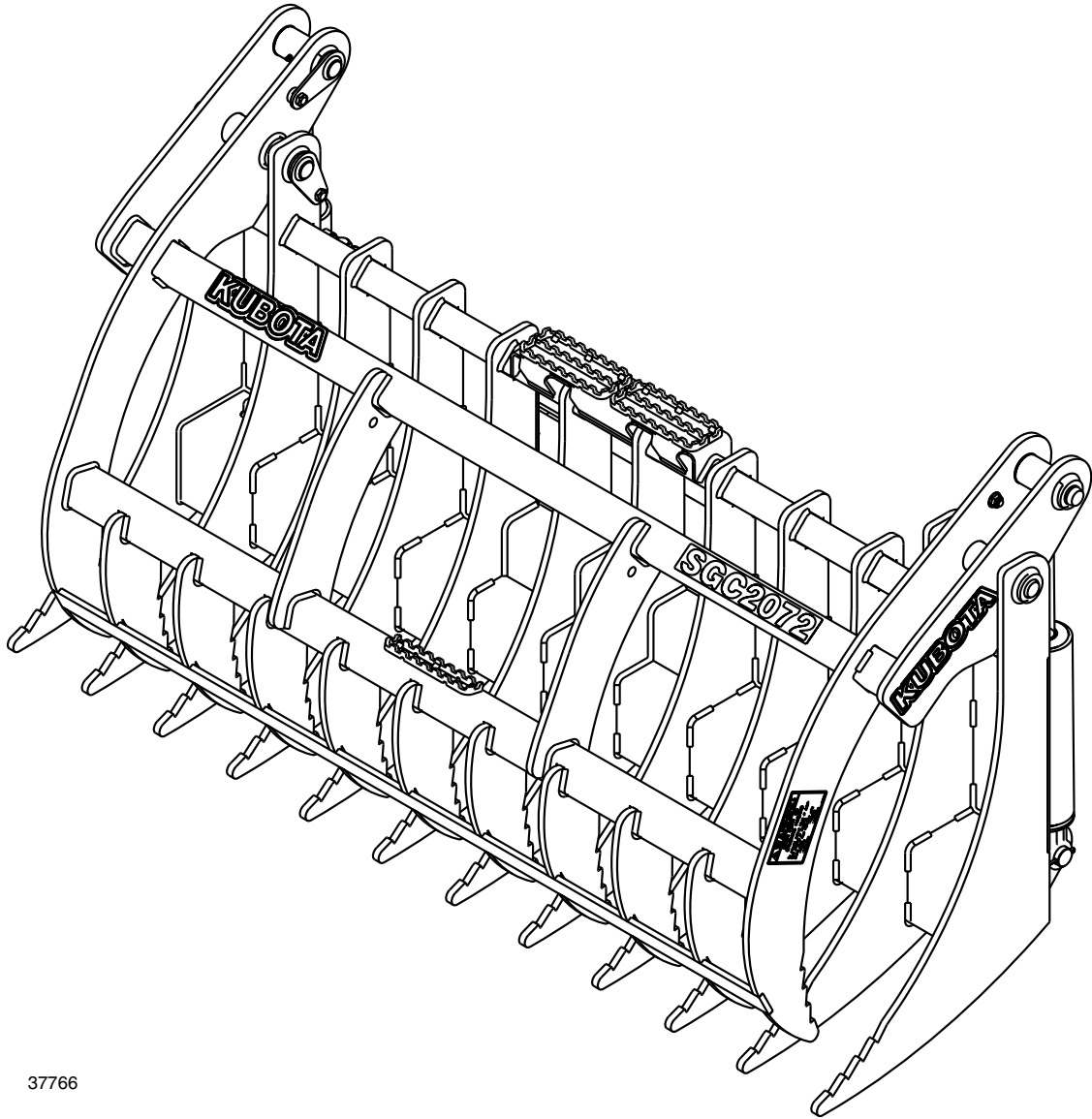


# Grapples

AP-SGC2072, & AP-SGC2084



37766

**380-052MK**  
**Operator's Manual**

**Kubota**®



Read the Operator's Manual entirely. When you see this symbol, the subsequent instructions and warnings are serious - follow without exception. Your life and the lives of others depend on it!

*Cover photo may show optional equipment not supplied with standard unit.*

*For an Operator's Manual and Decal Kit in French Language, please see your Kubota dealer.*

## Machine Identification

Record your machine details in the log below. If you replace this manual, be sure to transfer this information to the new manual.

If you, or the dealer, have added Options not originally ordered with the machine, or removed Options that were originally ordered, the weights and measurements are no longer accurate for your machine. Update the record by adding the machine weight and measurements provided in the Specifications & Capacities Section of this manual with the Option(s) weight and measurements.

<b>Model Number</b>	
<b>Serial Number</b>	
<b>Machine Height</b>	
<b>Machine Length</b>	
<b>Machine Width</b>	
<b>Machine Weight</b>	
<b>Delivery Date</b>	
<b>First Operation</b>	
<b>Accessories</b>	<hr/> <hr/> <hr/>

## Dealer Contact Information

**Name:** \_\_\_\_\_


**Street:** \_\_\_\_\_

**City/State:** \_\_\_\_\_

**Telephone:** \_\_\_\_\_

**Email:** \_\_\_\_\_

### California Proposition 65

 **WARNING:** Handling passenger or off-highway motor vehicle parts can expose you to chemicals such as phthalates and lead, which can cause cancer and reproductive harm. To minimize exposure, service the vehicle in a well-ventilated area, wear gloves, and wash your hands. For more information see [www.P65Warnings.ca.gov/motor-vehicle-parts](http://www.P65Warnings.ca.gov/motor-vehicle-parts).

# Table of Contents

<b>Important Safety Information</b> . . . . .	<b>1</b>	<b>Section 4: Specifications &amp; Capacities</b> . . . . .	<b>21</b>
Safety at All Times . . . . .	1	<b>Section 5: Features &amp; Benefits</b> . . . . .	<b>22</b>
Look for the Safety Alert Symbol . . . . .	1	<b>Section 6: Troubleshooting</b> . . . . .	<b>23</b>
Safety Labels . . . . .	6	<b>Section 7: Torque Values Chart</b> . . . . .	<b>24</b>
<b>Introduction</b> . . . . .	<b>7</b>	<b>Section 8: Warranty &amp; Legal Disclaimer</b> . . . . .	<b>25</b>
Application . . . . .	7		
Using This Manual . . . . .	7		
Terminology . . . . .	7		
Owner Assistance . . . . .	7		
Serial Number . . . . .	7		
Further Assistance . . . . .	7		
<b>Section 1: Assembly &amp; Set-Up</b> . . . . .	<b>8</b>		
Power Machine Requirements . . . . .	8		
Torque Requirements . . . . .	8		
Before You Start . . . . .	8		
Power Machine Shutdown Procedure . . . . .	8		
Grapple Assembly & Set-up . . . . .	9		
Hydraulic Hose Assembly . . . . .	9		
Connect Grapple . . . . .	10		
Connect Hydraulic Hoses . . . . .	11		
Check Equipment Clearances . . . . .	12		
Purge Hydraulic System . . . . .	12		
<b>Section 2: Operating Procedures</b> . . . . .	<b>13</b>		
Operating Checklist . . . . .	13		
Operating Safety . . . . .	13		
General Inspection . . . . .	14		
Transport Safety . . . . .	15		
Grapple Operation . . . . .	15		
Picking-Up A Load . . . . .	15		
Traveling With A Load . . . . .	16		
Releasing A Load . . . . .	16		
Back Raking With Upper Jaw . . . . .	16		
Ripping Out Bushes . . . . .	16		
Break Sod With Lower Jaw . . . . .	16		
Disconnect Grapple . . . . .	17		
General Operating Instructions . . . . .	18		
<b>Section 3: Maintenance &amp; Lubrication</b> . . . . .	<b>19</b>		
Maintenance . . . . .	19		
Skid Steer/Tractor Maintenance . . . . .	19		
Long-Term Storage . . . . .	19		
Lubrication Points . . . . .	20		
Jaw Pivot Points . . . . .	20		
Hydraulic Cylinder Pivot Points . . . . .	20		

© Copyright 2024 All rights Reserved

Kubota provides this publication "as is" without warranty of any kind, either expressed or implied. While every precaution has been taken in the preparation of this manual, Kubota assumes no responsibility for errors or omissions. Neither is any liability assumed for damages resulting from the use of the information contained herein. Kubota reserves the right to revise and improve its products as it sees fit. This publication describes the state of this product at the time of its publication, and may not reflect the product in the future.

Kubota is a registered trademark.

All other brands and product names are trademarks or registered trademarks of their respective holders.

Printed in the United States of America.

See previous page for Table of contents.



**Parts Manual QR Locator**

The QR (Quick Reference) code on the left will take you to the Parts Manual for this equipment. Download the appropriate App on your smart phone. Scan the QR code and take a picture.



**Dealer QR Locator**

The QR code on the left will link you to available dealers for Kubota products. Refer to Parts Manual QR Locator on this page for detailed instructions.

Listed below are common practices that may or may not be applicable to the products described in this manual.

### Safety at All Times

Careful operation is your best assurance against an accident.

All operators, no matter how much experience they may have, should carefully read this manual and other related manuals before operating the power machine and this attachment.

- ▲ Thoroughly read and understand the "Safety Label" section. Read all instructions noted on them.
- ▲ Do not operate the equipment while under the influence of drugs or alcohol, as they impair your ability to safely and properly operate the equipment.
- ▲ Operator should be familiar with all functions of the tractor/skid steer and attachment and be able to handle emergencies quickly.
- ▲ Make sure all guards and shields appropriate for the operation are in place and secured before operating attachment.
- ▲ Keep all bystanders away from equipment and work area.
- ▲ Start tractor/skid steer from the driver's seat with steering levers and hydraulic controls in neutral.
- ▲ Operate tractor/skid steer and controls from the driver's seat only.
- ▲ Never dismount from a moving tractor/skid steer or leave machine unattended with engine running.
- ▲ Do not allow anyone to stand between the attachment and tractor/skid steer while connecting to the attachment.
- ▲ Keep hands, feet, and clothing away from power-driven parts.
- ▲ While transporting and operating equipment, watch out for objects overhead and along the sides such as fences, trees, buildings, wires, etc.
- ▲ Store attachment in an area where children normally do not play. When needed, secure attachment against falling with support blocks.



### Look for the Safety Alert Symbol

The SAFETY ALERT SYMBOL indicates there is a potential hazard to personal safety and extra precaution must be taken. When you see this symbol, be alert and carefully read the message that follows it. Hazard control, and accident prevention are dependent upon the awareness, concern, prudence, and proper training of personnel involved in the operation, transport, maintenance, and storage of equipment.

### Be Aware of Signal Words

A signal word designates a degree or level of hazard seriousness. They are:

- ▲ **DANGER:** Indicates a hazardous situation that, if not avoided, will result in death or serious injury.
- ▲ **WARNING:** Indicates a hazardous situation that, if not avoided, could result in death or serious injury.
- ▲ **CAUTION:** Indicates a hazardous situation that, if not avoided, may result in minor or moderate injury.

### Be Aware of Special Notices

Special notices are intended to point out important and helpful information that should be followed. They are usually placed inside a box. They are:

- ▲ **IMPORTANT:** Indicates that equipment or property damage could result if instructions are not followed.
- ▲ **NOTE:** Indicates supplementary explanations that will be helpful when using the equipment.

### Safety Precautions for Children

Tragedy can occur if the operator is not alert to the presence of children. Children generally are attracted to attachments and their work.

- ▲ Never assume children will remain where you last saw them.
- ▲ Keep children out of the work area and under the watchful eye of a responsible adult.
- ▲ Be alert and shut the attachment and skid steer/track loader down if children enter the work area.
- ▲ Never carry children on the power machine or attachment. There is not a safe place for them to ride. They may fall off and be run over or interfere with the control of the power machine.
- ▲ Never allow children to operate the power machine, even under adult supervision.
- ▲ Never allow children to play on the power machine or attachment.
- ▲ Use extra caution when backing up. Before the power machine starts to move, look down and behind to make sure the area is clear.

Listed below are common practices that may or may not be applicable to the products described in this manual.

### Dig Safe - Avoid Underground Utilities

- ▲ USA: Call 811  
CAN:  
<http://www.clickbeforeyoudig.com>
- ▲ Always contact your local utility companies (electrical, telephone, gas, water, sewer, and others) before digging so that they may mark the location of any underground services in the area.
- ▲ Be sure to ask how close you can work to the marks they positioned.



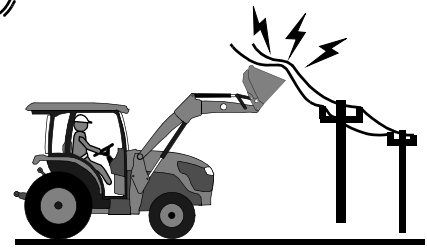
### Towing Safely

- ▲ Comply with federal, state, and local laws.
- ▲ Use towing vehicle and trailer of adequate size and capacity. Secure equipment towed on a trailer with chocks, tie downs, and chains.
- ▲ **IMPORTANT:** Do not tow a load that is more than double the weight of the vehicle towing the load.
- ▲ Sudden braking can cause a towed trailer to swerve unexpectedly. Reduce speed if trailer is not equipped with brakes.



### Transport Safely

- ▲ Comply with federal, state, and local laws.
- ▲ Avoid contact with any overhead utility lines or electrically charged conductors.
- ▲ Always drive with attachment on the end of the loader arms low to the ground.
- ▲ Follow recommendations in the power machine Operator's Manual when driving uphill or downhill and when parking on an incline.
- ▲ Never travel at a speed which does not allow adequate control of the load, steering, and stopping. Some rough terrains require a slower speed.



### Tire Safety

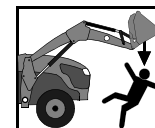
- ▲ Tire changing can be dangerous and must be performed by trained personnel using the correct tools and equipment.
- ▲ Always properly match the wheel size to the properly sized tire.
- ▲ Always maintain correct tire pressure. Do not inflate tires above recommended pressures shown in the Operator's Manual.
- ▲ When inflating tires, use a clip-on chuck and extension hose long enough to allow you to stand to one side and NOT in front of or over the tire assembly. Use a safety cage if available.
- ▲ Securely support the attachment when changing a wheel.
- ▲ When removing and installing wheels, use wheel handling equipment adequate for the weight involved.
- ▲ Make sure wheel bolts have been tightened to the specified torque.



### Practice Safe Maintenance

- ▲ Understand procedure before doing work. Refer to the Operator's Manual for additional information.
- ▲ Work on a level surface in a clean, dry area that is well-lit.
- ▲ Lower attachment to the ground and follow all shutdown procedures before leaving the operator's seat to perform maintenance.
- ▲ Do not work under any hydraulically supported equipment. It can settle, suddenly leak down, or be lowered accidentally. If it is necessary to work under the equipment, securely support it with stands or suitable blocking beforehand.
- ▲ Use properly grounded electrical outlets and tools.
- ▲ Use correct tools and equipment for the job that are in good condition.
- ▲ Allow equipment to cool before working on it.

- ▲ Disconnect battery ground cable (-) before servicing or adjusting electrical systems or before welding on equipment.
- ▲ Inspect all parts. Make certain that parts are in good condition & installed properly.
- ▲ Replace parts on this attachment with genuine Kubota parts only. Do not alter this attachment in a way which will adversely affect its performance.
- ▲ Do not grease or oil attachment while it is in operation.
- ▲ Remove buildup of grease, oil, or debris.
- ▲ Always make sure any material and waste products from the repair and maintenance of the attachment are properly collected and disposed of.
- ▲ Remove all tools and unused parts before operation.



Listed below are common practices that may or may not be applicable to the products described in this manual.

### Prepare for Emergencies

- ▲ Be prepared if a fire starts.
- ▲ Keep a first aid kit and fire extinguisher handy.
- ▲ Keep emergency numbers for doctor, ambulance, hospital, and fire department near phone.

### Wear Personal Protective Equipment (PPE)

- ▲ Wear protective clothing and equipment appropriate for the job such as safety shoes, safety glasses, hard hat, dust mask, and ear plugs.
- ▲ Clothing should fit snug without fringes and pull strings to avoid entanglement with moving parts.
- ▲ Prolonged exposure to loud noise can cause hearing impairment or hearing loss. Wear suitable hearing protection such as earmuffs or earplugs.
- ▲ Operating a machine safely requires the operator's full attention. Avoid wearing headphones while operating equipment.

### Avoid High Pressure Fluids

- ▲ Escaping fluid under pressure will penetrate the skin or eyes causing serious injury.
- ▲ Relieve all residual pressure before disconnecting hydraulic lines or performing work on the hydraulic system.
- ▲ Make sure all hydraulic fluid connections are properly tightened/torqued and all hydraulic hoses and lines are in good condition before applying pressure to the system.
- ▲ Use a piece of paper or cardboard, NOT BODY PARTS, to check for suspected leaks.
- ▲ Wear protective gloves and safety glasses or goggles when working with hydraulic systems.
- ▲ **DO NOT DELAY.** If an accident occurs, seek immediate emergency medical care or gangrene may result.

### Use Safety Lights and Devices

- ▲ A slow moving power machine can create a hazard when driven on public roads. They are difficult to see, especially at night.
- ▲ Flashing warning lights and turn signals are recommended whenever driving on public roads.
- ▲ For tractors and other agriculture equipment, a Slow Moving Vehicle (SMV) sign is required when traveling on public roads.

### Use Seat Belt and ROPS

- ▲ Land Pride recommends the use of a CAB or roll-over-protective-structures (ROPS) and seat belt in almost all power machines. Combination of a CAB or ROPS and seat belt will reduce the risk of serious injury or death if the power machine should be upset.
- ▲ If ROPS is in the locked-up position, fasten seat belt snugly and securely to help protect the operator against serious injury or death from falling and/or machine overturn.

### Keep Riders Off Machinery

- ▲ Never carry riders on the power machine or attachment.
- ▲ Riders obstruct operator's view and interfere with the control of the power machine.
- ▲ Riders can be struck by objects or thrown from the equipment.
- ▲ Never use the power machine or attachment to lift or transport riders.

These are common practices that may or may not be applicable to the products described in this manual.

### Avoid Crystalline Silica (Quartz) Dust

Because crystalline silica is a basic component of sand and granite, many activities at construction sites produce dust containing crystalline silica. Trenching, sawing, and boring of material containing crystalline silica can produce dust containing crystalline silica particles. This dust can cause serious injury to the lungs (silicosis).

There are guidelines which should be followed if crystalline silica (quartz) is present in the dust.



- ▲ Be aware of and follow OSHA (or other local, State, or Federal) guidelines for exposure to airborne crystalline silica.
- ▲ Know the work operations where exposure to crystalline silica may occur.
- ▲ Participate in air monitoring or training programs offered by the employer.
- ▲ Be aware of and use optional equipment controls such as water sprays, local exhaust ventilation, and enclosed cabs with positive pressure air conditioning if the machine has such equipment. Otherwise respirators shall be worn.
- ▲ Where respirators are required, wear a respirator approved for protection against crystalline silica containing dust. Do not alter respirator in any way. Workers who use tight-fitting respirators can not have beards/mustaches which interfere with the respirator seal to the face.
- ▲ If possible, change into disposable or washable work clothes at the work site; shower and change into clean clothing before leaving the work site.
- ▲ Do not eat, drink, use tobacco products, or apply cosmetics in areas where there is dust containing crystalline silica.
- ▲ Store food, drink, and personal belongings away from the work area.
- ▲ Wash hands and face before eating, drinking, smoking, or applying cosmetics after leaving the exposure area.

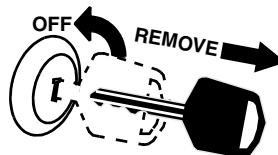
### Handle Chemicals Properly

- ▲ Protective clothing should be worn.
- ▲ Handle all chemicals with care.
- ▲ Follow instructions on container label.
- ▲ Agricultural chemicals can be dangerous. Improper use can seriously injure persons, animals, plants, soil, and property.
- ▲ Inhaling smoke from any type of chemical fire can be a serious health hazard.
- ▲ Store or dispose of unused chemicals as specified by the chemical manufacturer.



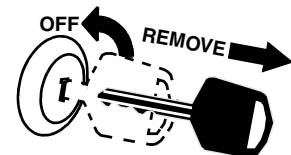
### Tractor Shutdown & Storage

- ▲ Reduce engine speed and shut-off all power to the attachment.
- ▲ Park on solid, level ground and lower attachment to ground or onto support blocks.
- ▲ Put tractor in park or set park brake.
- ▲ Turn off engine and remove ignition key to prevent unauthorized starting.
- ▲ Relieve all hydraulic pressures.
- ▲ Wait for all components to stop before leaving operator's seat.
- ▲ Use steps, grab-handles and anti-slip surfaces when stepping on and off the tractor.



### Skid Steer Shutdown And Storage

- ▲ Reduce engine speed and shut-off all power to the attachment.
- ▲ Park on solid, level ground and lower attachment until it is flat on the ground or support blocks.
- ▲ Turn off engine. Do not remove ignition key at this time.
- ▲ Turn ignition key to the "RUN" position. Relieve all hydraulic pressure by moving both joysticks.
- ▲ Turn ignition key to Off and remove to prevent unauthorized starting.
- ▲ If included, raise seat bar and move controls until both lock.
- ▲ Wait for all components to stop before leaving operator's seat.
- ▲ Use steps, grab-handles and anti-slip surfaces when stepping on and off the skid steer.



---

This page left blank intentionally.

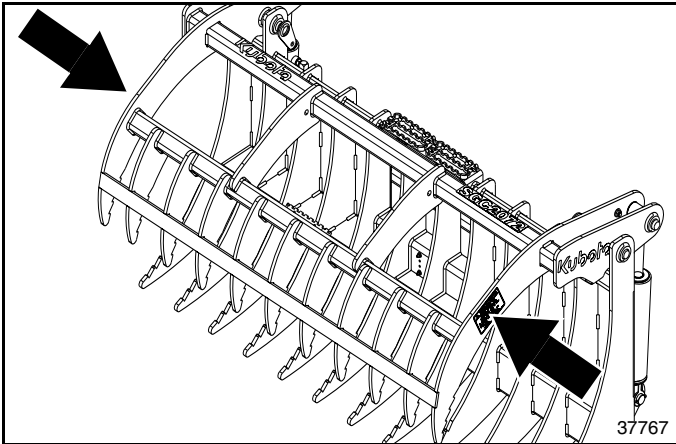
### Safety Labels

Your Grapple comes equipped with all safety labels in place. They were designed to help you safely operate your implement. Read and follow their directions.

1. Keep all safety labels clean and legible.
2. Refer to this section for proper label placement. Replace all damaged or missing labels. Order new labels from your nearest Land Pride dealer. To find your nearest dealer, visit our dealer locator at [www.landpride.com](http://www.landpride.com).
3. Some new equipment installed during repair requires safety labels to be affixed to the replaced component as

specified by Land Pride. When ordering new components make sure the correct safety labels are included in the request.

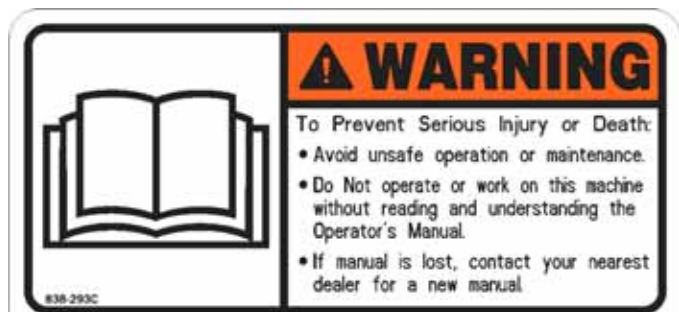
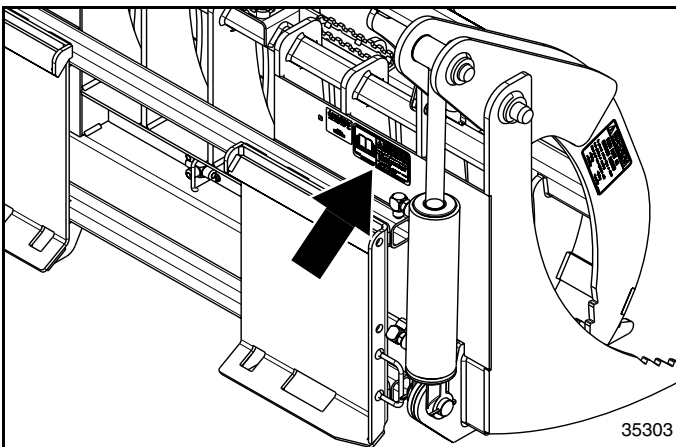
4. Refer to this section for proper label placement. To install new labels:
  - a. Clean surface area where label is to be placed.
  - b. Spray soapy water onto the cleaned area.
  - c. Peel backing from label and press label firmly onto the surface.
  - d. Squeeze out air bubbles with edge of a credit card or a similar type of straight edge.



70312

#### 818-045C

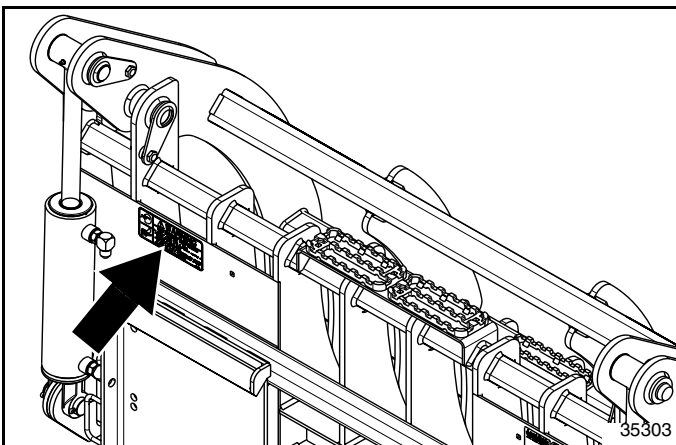
Warning: Pinch Point or Crushing Hazard  
2 Places



70243

#### 838-293C

Warning: Read Operator's Manual  
1 Place



70245

#### 838-094C

Warning: High Pressure Fluid Hazard  
1 Place:

## Introduction

Kubota welcomes you to the growing family of new product owners. This Claw Grapple has been designed with care and built by skilled workers using quality materials. Proper assembly, maintenance, and safe operating practices will help you get years of satisfactory use from this product.

## Application

The Kubota SGC2072 and SGC2084 Claw Grapples have uses and applications in farming, ranching, construction sites, nurseries, campuses, theme parks, salvage operations, warehouses, lumber yards, and large or small retail outlets. They have the capability of quickly and conveniently turning your skid steer loader or tractor loader equipped with a universal quick attach mounting system into a grapple expanding your material handling capability.

They are available in 72" (1.83 m) & 84" (2.13 m) widths depending on which model is selected. Whichever model you select, you'll find that these Kubota attachments will save you time and money and make getting that material handling job done a whole lot easier.

For additional information and performance enhancing options, see "**Specifications & Capacities**" on page 21 and "**Features & Benefits**" on page 22.

## Using This Manual

- This Operator's Manual is designed to help familiarize you with safety, assembly, operation, adjustments, troubleshooting, and maintenance. Read this manual and follow the recommendations to help ensure safe and efficient operation.
- The information contained within this manual was current at the time of printing. Some parts may change slightly to assure you of the best performance.
- To order a new Operator's or Parts Manual, contact your authorized dealer. Manuals can also be downloaded, free-of-charge, from our website at [www.landpride.com](http://www.landpride.com)

## Terminology

"Right" or "Left" as used in this manual is determined by the direction the operator faces while sitting looking forward in the operator's seat unless otherwise stated.

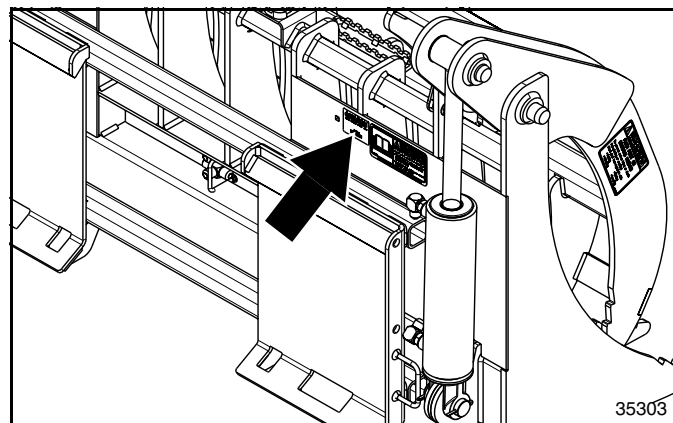
## Owner Assistance

The dealer should complete the Online Warranty Registration at the time of purchase. This information is necessary to provide you with quality customer service.

The parts on your Claw Grapple have been specially designed by Kubota/Land Pride and should only be replaced with genuine Kubota parts. Contact a Kubota dealer if customer service or repair parts are required. Your Kubota dealer has trained personnel, repair parts, and equipment needed to service the attachment.

## Serial Number

For quick reference and prompt service, record model and serial number on the inside cover page and again on the warranty page. Always provide model number and serial number when ordering parts and in all correspondence with your Kubota dealer. For location of your serial number plate, see Figure 1.



**Serial Number Plate Location**  
Figure 1

## Further Assistance

Your Kubota dealer wants you to be satisfied with your new machine. If for any reason you do not understand any part of this manual or are not satisfied with the service received, the following actions are suggested:

1. If you have an issue or question with your new attachment, please contact the service department at your local dealership to address the issue.
2. If you are still not satisfied, seek out the owner or general manager of the dealership, explain the question/issue, and request assistance.
3. For further assistance write to:

**Kubota by Land Pride  
Service Department**

**1525 East North Street**  
P.O. Box 5060  
Salina, Ks. 67402-5060

E-mail address  
[lpSERVICE@landpride.com](mailto:lpSERVICE@landpride.com)

## Power Machine Requirements

Consult the skid steer, track loader, or tractor Operator’s Manual for its operating capacity, lift capacity, and operating specifications. They will vary from unit to unit. Do not exceed the rated capacities and specifications of the power machine. The SGC20 Series Claw Grapples are designed to attach to skid steer loaders and tractor loaders with the following requirements:

- Front loader hitch type:
  - ..... Skid steer quick attach, meets ISO 24410
- Hydraulic outlets
  - .....One dual outlet at the end of the loader arms

### WARNING

To avoid serious injury or death:

- Consult your power machine Operator’s Manual for operating capacity, lifting capacity, and operating specifications. Exceeding rated capacities and specifications can result in loss of control, roll-over or other serious hazard.
- Lightweight power machines may need weight added to the rear to maintain steering control and prevent forward and/or side tipping. Consult your power machine Operator’s Manual to determine proper weight requirements and maximum limitations.

## Torque Requirements

Refer to “**Torque Values Chart**” on page 24 to determine correct torque values when tightening hardware.

## Before You Start

This grapple has been partially assembled at the factory. Some additional preparations will be necessary to finish assembling the attachment and to connect it to the customer’s power machine.

- Read and understand this Operator’s Manual. An understanding of how the grapple works will aid in its assembly and set-up.
- Make sure the intended power machine conforms to the “**Power Machine Requirements**” above.
- Go through the “**Pre-Assembly Checklist**” provided on this page.
- To speed up the assembly task and make the job safer, have all needed parts and equipment readily at hand.

## Pre-Assembly Checklist

✓	Check	Referenc
	Have a forklift or loader with properly sized chains and safety stands capable of lifting and supporting the equipment on hand.	
	Have a minimum of two people available during assembly.	
	Make sure all major components and loose parts are shipped with the machine.	Assembly & Set-up
	Double check to make sure all parts, fasteners, and pins are installed in the correct location. Refer to the Parts Manual if unsure.  <b>NOTE:</b> All assembled hardware from the factory has been installed in the correct location. Remember location of a part or fastener if removed. Keep parts separated.	Operator’s Manual 380-052MK  Parts Manual 380-052PK
	Make sure working parts move freely, bolts are tight & cotter pins are spread.	Operator’s Manual
	Make sure all grease fittings are in place and lubricated.	Page 20
	Make sure all safety labels are correctly located and legible. Replace if damaged.	Page 6

## Power Machine Shutdown Procedure

The following are basic power machine shutdown procedures. Follow these procedures and any additional shutdown procedures provided in your power machine Operator’s Manual before leaving the operator’s seat.

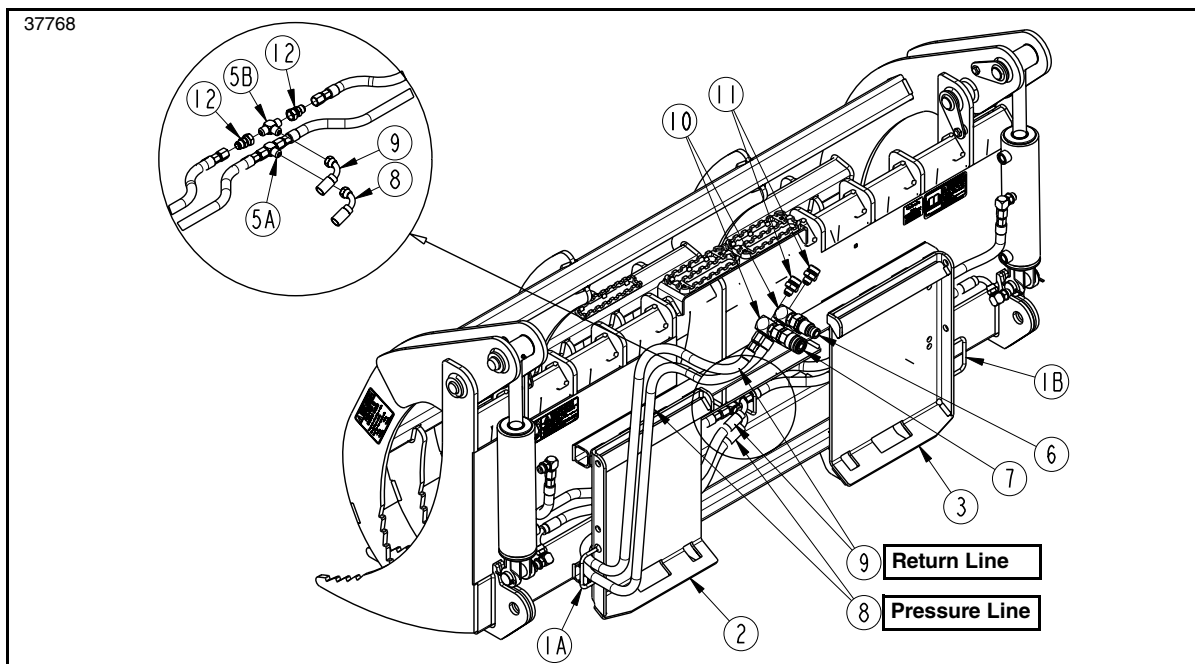
1. Reduce engine speed and shut-off all power to the attachment.
2. Park on solid, level ground and lower attachment until it is flat on the ground or on non-concrete support blocks.

### Skid Steer and Track Loader

- a. Turn off engine. Do not remove ignition key at this time.
- b. Turn ignition key to the “RUN” position. Relieve all hydraulic pressure by moving both joysticks.
- c. Turn ignition key off and remove to prevent unauthorized starting.
- d. If included, raise seat bar and move controls until both lock.

### Tractor

- a. Put tractor in park or set park brake.
  - b. Turn off engine, and remove ignition key to prevent unauthorized starting.
  - c. Relieve all hydraulic pressures.
3. Wait for all components to come to a complete stop before leaving the operator’s seat.
  4. Use steps, grab-handles, and anti-slip surfaces when stepping on and off the power machine.



Hydraulic Hose Assembly  
Figure 1-1

## Grapple Assembly & Set-up

Refer to Figure 1-1:

The grapple is shipped with factory standard hydraulic hoses and couplers for connecting the grapple to a skid steer or track loader.

If connecting the grapple to a tractor front loader, the customer must supply the required hydraulic hoses, fittings, and couplers to complete the connection from tees (#5A & #5b) to the tractor loader front couplers.

**NOTE:** If this grapple is used on a tractor loader, orificed adapters (#12) may be removed from upper tee (#5B) to increase hydraulic operating speed.

## Hydraulic Hose Assembly

Refer to Figure 1-1:

**NOTE:** Do not remove orificed adapters (#12) from tee (#5B) when connecting the grapple to a skid steer or track loader.

- The grapple is set-up to connect hydraulic hoses (#8 & #9) to the left-hand side of the power machine, If attaching hydraulic hoses to the power machine on the right-hand side, reroute hoses behind hitch plate (#3) and through hose retainer (#1B).

**NOTE:** The grapple is shipped from the factory with 90 degree elbows (#10) attached to hoses (#8 & #9). Straight adapters (#11) are shipped loose should the customer prefer the straight adapters over the 90 degree elbows.

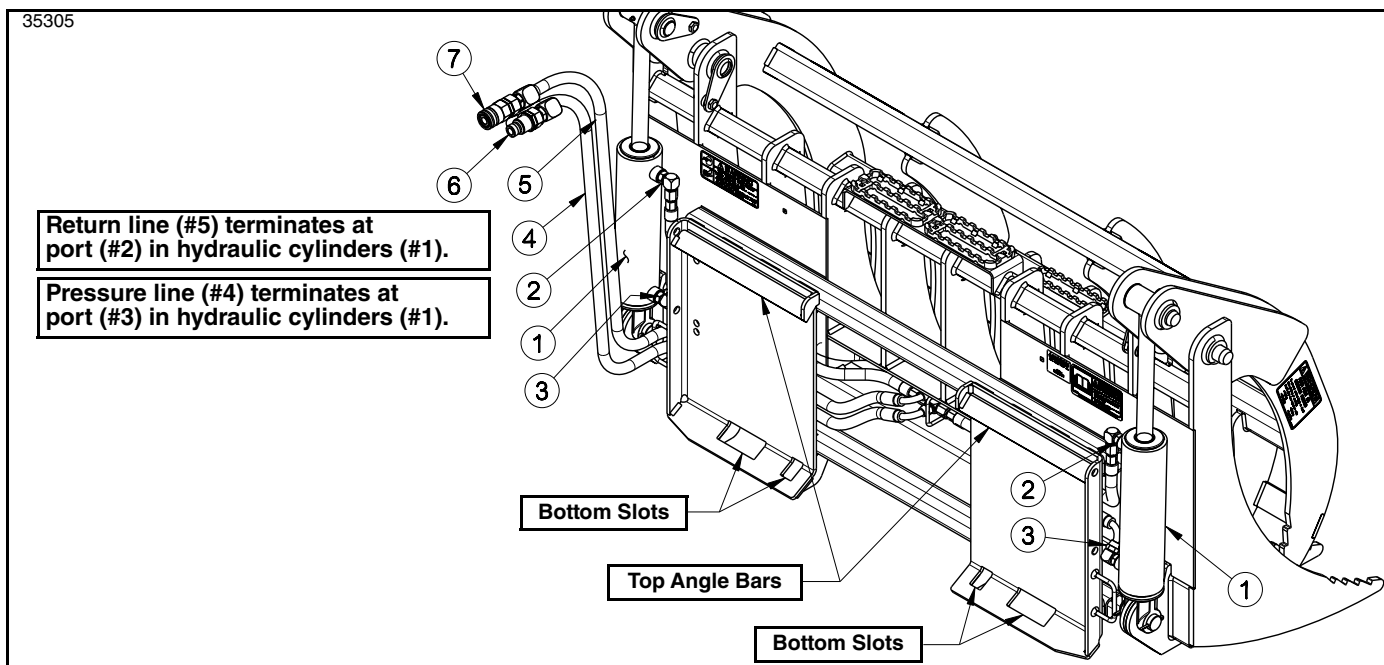
- If 90 degree elbows are preferred, skip to step 2. If straight adapters are preferred, continue with step a:
  - Remove quick connect couplers (#6 & #7) and elbows (#10) from hydraulic hoses (#8 & #9).
  - Attach straight adapters (#11) to hydraulic hoses (#8 & #9) and tighten.

**NOTE:** Consult your power machine Operator's Manual to determine which hydraulic line on the power machine is under pressure. Select the male or female quick connect coupler (#6 or #7) that will mate with your power machine's pressure line.

**NOTE:** The grapple's pressure line (#8) attaches to lower tee fitting (#5A) and terminates at the base end of both hydraulic cylinders. Its return line (#9) attaches to upper tee fitting (#5B) and terminates at the rod end of both hydraulic cylinders.

- Select quick connect coupler (#6 or #7) that will mate with the machine's pressure line coupler. Attach the selected coupler (#6 or #7) to the grapple's pressure line (#8) and tighten.
  - Attach remaining quick connect coupler (#6 or #7) to the grapple's return line (#9) and tighten.
- Read the two Notes provided above. If using 90 degree elbows but the quick connect male coupler (#6) on pressure line (#8) does not mate with the machine's pressure line coupler, then switch quick connect couplers (#6 & #7) on elbows (#10). Tighten couplers to the elbows.

35305



**Connect Grapple**  
Figure 1-2

### Connect Grapple

Refer to Figure 1-2:

#### **WARNING**

To avoid serious injury or death:

- Lightweight power machines may need weight added to the rear to maintain steering control and prevent forward and/or side tipping. Consult your power machine Operator's Manual to determine proper weight requirements and maximum limitations.
- Check hitch fit-up frequently. An improper fit-up can result in the attachment falling from the loader hitch plate.

Refer to Figure 1-2:

1. Check front loader and grapple hitch plates before connecting the grapple. Make sure all hitch components are in good working condition before putting them into service:
  - a. Check for and remove any debris in the loader and grapple hitch plates.
  - b. Check for structural cracks in the hitch plates. Repair or replace hitch plates as needed.
  - c. Check hitch components. Repair or replace any part that is excessively worn, bent, broken, or missing.
  - d. Check operation of lock pins in the loader hitch plate. Lock pins must move freely and extend fully into the bottom slots in the grapple hitch plate.
2. If lock mechanism is mechanical, raise lock handles on the loader quick hitch fully up.
3. Use anti-slip steps on the grapple when stepping on and off the power machine.
4. Start power machine.
5. If lock mechanism is hydraulic, use auxiliary hydraulic controls to raise the lock pins fully up.
6. Drive power machine slowly to the grapple hitch plate while making sure the loader hitch plate is parallel with the grapple's top angle bars.
7. Tilt top of loader hitch plate slightly forward.
8. Place top of loader hitch plate under the grapples top angled bars and slowly raise loader hitch plate up until the hitch plate is seated under the top angle bars.
9. Tilt top of loader hitch plate back until the grapple hitch plate makes full contact with the face of the loader hitch plate and the grapple is slightly off the ground.
10. Engage lock mechanism:
 

**Hydraulic Lock Mechanism:**

  - a. Engage quick hitch locking mechanism hydraulically.
  - b. Shut power machine down before dismounting. Follow "**Power Machine Shutdown Procedure**" on page 8.

**Mechanical Lock Mechanism:**

  - a. Shut power machine down before dismounting. Follow "**Power Machine Shutdown Procedure**" on page 8.
  - b. Push lock handles down to drive lock pins through bottom slots in the hitch plate. Make sure handles lock down.
11. Check connection points to verify the grapple hitch is locked properly to the loader hitch plate.

## Section 1: Assembly & Set-Up

### Connect Hydraulic Hoses

#### WARNING

To avoid serious injury or death:

- Shutdown power machine and release all hydraulic pressure to the equipment before connecting or disconnecting hydraulic hoses to or from the power machine.
- Hydraulic fluid under high pressure will penetrate the skin or eyes causing serious injury. Wear protective gloves and safety glasses or goggles when working with hydraulics. Use a piece of cardboard or wood, rather than hands, when searching for leaks. If an accident occurs, seek immediate emergency medical care or gangrene may result. **DO NOT DELAY.**

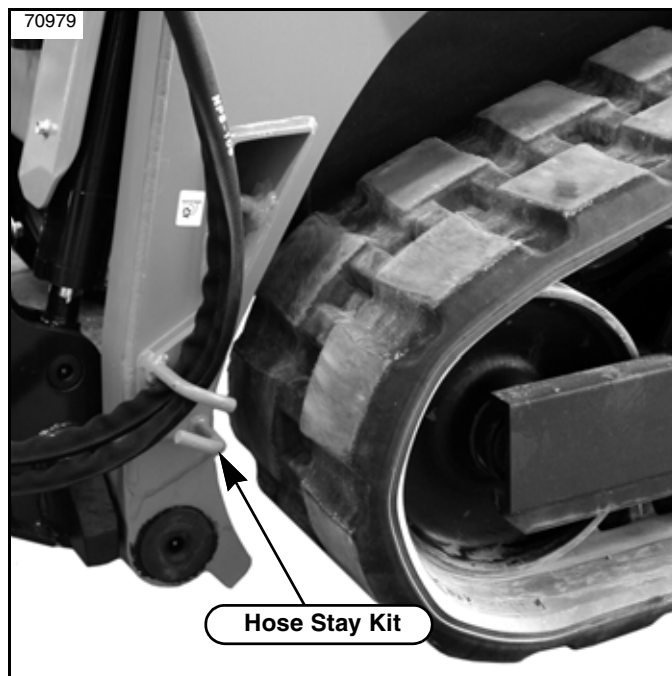
**IMPORTANT:** Make sure coupler fittings on the hydraulic hoses and power machine are clean before connecting them together.

Refer to Figure 1-2 on page 10:

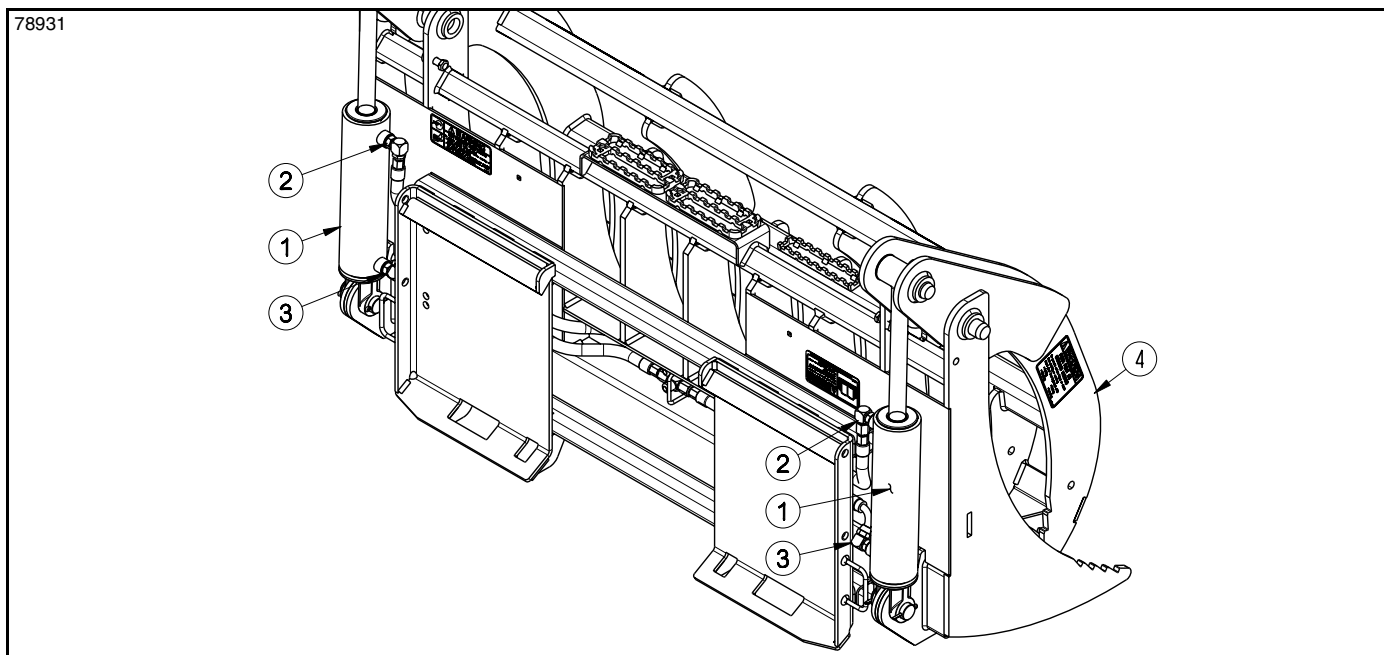
1. Route hydraulic hoses (#4 & #5) through the most convenient path to access your power equipment couplers. Path shown may not be the most convenient.

**NOTE:** If attaching to a Kubota skid steer or track loader, route hydraulic hoses through Kubota's Hose Stay as shown in Figure 1-3. Purchase **Hose Stay #S6763** through your nearest Kubota dealer. Refer to your power machine Operator's Manual for more instructions.

2. Clean quick connect couplers (#6 & #7) of dirt, then connect male and female couplers to the skid steer outlets. Make sure quick connect couplers are fully engaged. If they are not, check the following:
  - a. Make sure couplers are same size and type.
  - b. Make sure hydraulic pressure has been released.
3. Extend and retract hydraulic cylinders (#1) using the power machine controls. If the cylinders operate in the opposite direction intended, switch male and female couplers (#6 & #7) on hoses (#4 & #5), then reconnect couplers to the loader outlets.
4. For additional help, refer to Hydraulic connect instructions in your power machine Operator's Manual.



Kubota Hose Stay  
Figure 1-3



Check Clearances and Purge Hydraulic System

Figure 1-4

## Check Equipment Clearances

Refer to Figure 1-4:

It is important to check clearance before putting the grapple into operation. Make sure hoses are long enough and won't become pinched or entangled in the equipment. Also, make sure the grapple does not come in contact with the power machine by carefully going through its full range of motions.

1. Visually inspect hydraulic hoses for possible pinch points and shortness. Make hose adjustments before putting equipment into service.
2. Start power machine and raise grapple approximately 12" (30 cm) off the ground.
3. If necessary, have someone stand nearby that can motion for the operator to stop if a problem develops while completing steps 4-7 below.
4. Fully extend grapple cylinders (#1) to fully close the grapple jaw (#4).
5. Fully extend and retract loader hitch plate cylinders while watching for equipment interferences. Make sure grapple hoses are long enough and do not become pinched through the full range of the loader hitch plate motion.
6. Fully retract grapple cylinders (#1) to pivot grapple jaw (#4) fully open and repeat step 5.
7. Raise loader arms fully up and repeat steps 4-6.

## Purge Hydraulic System

Refer to Figure 1-4:

**IMPORTANT:** The grapple hydraulic system may contain air causing erratic, cylinder movement.

If cylinders (#1) operated erratically while checking clearances, then purge the hydraulic system as follows:

1. Fully extend hydraulic cylinders (#1) to close jaw (#4) as shown.
2. Shut power machine down according to "**Power Machine Shutdown Procedure**" on page 8.
3. Loosen elbows (#2) at the rod end of hydraulic cylinders (#1).
4. Return to the operator's seat, fasten seat belt, and start power machine.
5. Slowly retract hydraulic cylinders (#1) until all trapped air is purged out through elbow fittings (#2).
6. Shut power machine down according to "**Power Machine Shutdown Procedure**" on page 8.
7. Tighten elbow fittings (#2).
8. Fully retract hydraulic cylinders (#1) to fully open grapple claw (#4).
9. Raise loader arms and tilt top of loader hitch plate forward until grapple and opened claw are facing the ground. Slowly lower loader arms until the grapple and opened claw are resting solidly against the ground.
10. Repeat Step 2, then loosen elbow fittings (#3) at the base end of hydraulic cylinders (#1).
11. Repeat Step 4, then slowly extend hydraulic cylinders (#1) until all trapped air is purged out through elbow fittings (#3).
12. Repeat Step 6, then tighten elbow fittings (#3).
13. If cylinders still operate erratically, repeat steps 1-12.

Section 2: Operating Procedures

### Operating Checklist

Hazard control and accident prevention are dependent upon the awareness, concern, prudence and proper training involved in the operation, transport, storage, and maintenance of the Claw Grapple. Therefore, it is absolutely essential that no one operates the unit unless they have read, fully understood, and are totally familiar with the Operator's Manual.

Perform the following inspections before using your Grapple.

#### Operating Checklist

✓	Check	Page
	Read and follow all safety rules carefully. Refer to "Important Safety Information" and Safety Alert Symbols throughout this manual.	All pages
	Make sure there are no hydraulic leaks. Refer to "Avoid High Pressure Fluids Hazard".	3
	Read and follow preparation instructions. Refer to "Section 1: Assembly & Set-Up".	6
	Read and follow all operating procedures. Refer to "Section 2: Operating Procedures".	10
	Read and follow all maintenance instructions. See "Section 3: Maintenance & Lubrication".	19
	Check grapple initially and periodically for loose bolts and pins. Refer to "Torque Values Chart for Common Bolt Sizes".	24

### Operating Safety

#### DANGER

To avoid serious injury or death:

- Make sure the machine is stopped on solid, level ground before raising load to dump. To maintain stability, raise load only to the height necessary to complete the dump.
- Never dump a load around gas lines, overhead power lines, utilities, or other hazards that can cause serious injury or death from electrocution, explosion, or fire.
- Never make contact with utilities such as electrical power lines, gas lines, phone lines, etc. They can cause electrocution, explosion, and/or fire.
- Keep attachment and/or loader arms away from overhead electrical power lines. Place an orange warning sign under overhead lines indicating type of danger above.
- A crushing hazard always exists around attachments. The jaws can crush and objects in the attachment can shift and fall.
- Do not drive up to anyone or an animal in front of a fixed object such as a wall or bench. Never assume that the power machine will stop in time.
- Do not lift a load that cannot be contained in the attachment, exceeds the attachment's load guard height, or has objects smaller than the openings in the load guard.

- Keep bystanders, pets, and livestock away from your work area. Never allow anyone to go near or under the attachment or its load. The attachment and/or load can fall.
- Keep load positioned forward enough to prevent accidental spillage onto the operator and power machine.
- Keep load slightly tilted back to secure its weight against the vertical face of the attachment. Rotating front of attachment too high can cause the load to shift and fall onto the operator or others. Rotating front of attachment level or lower can cause the load to fall forward.
- Make sure all objects are contained and/or secured before lifting. Do not lift a load that cannot be contained in the attachment as the load can shift and fall.
- Use a "spotter" when it is hard to see in the direction you are traveling and when placing a load that obstructs your vision. A person or animal could be nearby in a blind spot.
- Always secure equipment with solid, non-concrete supports before working under it. Never go under equipment supported by concrete blocks or hydraulics. Concrete can break, hydraulic lines can burst, and/or hydraulic controls can be actuated even when power to the hydraulics is off.

#### WARNING

To avoid serious injury or death:

- Allow only persons to operate this attachment who have fully read and comprehended this manual, and who have been properly trained in the safe operation of this attachment. Serious injury or death can result from the inability to read, understand, and follow instructions provided in this manual.
- Consult your power machine Operator's Manual for operating capacity, lifting capacity, and operating specifications. Exceeding rated capacities and specifications can result in loss of control, roll-over or other serious hazard.
- Never carry riders on the equipment or power machine. Riders can obstruct the operator's view, interfere with controls, be pinched by moving components, become entangled in rotating components, struck by objects, thrown about, fall off and be run over, etc.
- Hydraulic fluid under high pressure will penetrate the skin or eyes causing serious injury. Wear protective gloves and safety glasses or goggles when working with hydraulics. Use a piece of cardboard or wood, rather than hands, when searching for leaks. If an accident occurs, seek immediate emergency medical care or gangrene may result. DO NOT DELAY.
- Operate only power machines equipped with a certified Roll-Over Protective Structure (ROPS) and seat belt. Keep folding ROPS in the "locked up" position when appropriate. If ROPS is in the locked up position, fasten seat belt snugly and securely to help protect against serious injury or death from falling and machine overturn.

## Section 2: Operating Procedures

- *Keep load centered, even when stopped. This will optimize load stability and protect against load shifting.*
- *Do not abuse equipment. Incorrect use of the attachment can damage equipment structurally and cause serious injury or death.*
- *Check hitch fit-up frequently. An improper fit-up can result in the attachment falling from the loader hitch plate.*
- *Do not chain or strap loads to the loader arms, hitch, or attachment. Hitting solid objects with a load fastened to the attachment or machine can cause frame damage and/or tipping resulting in the loss of operator control.*
- *Do not use this attachment as a lifting device for people or as a work platform. It is not properly designed or guarded for this use.*
- *Do not use this attachment to lift the front or back of the power machine off the ground. Doing so can damage the attachment, power machine, and/or cause serious injury or death.*
- *Do not use this attachment to pull and/or pry objects out of the ground or for digging into the ground. It is not properly designed or guarded for this use.*
- *Do not use this attachment to lift, carry, push or tow other equipment or objects. It is not properly designed or guarded for this use. The operator could lose control resulting in equipment damage and/or tipping hazard.*
- *The parts on your grapple have been specially designed and should only be replaced with genuine Kubota parts. Altering the grapple can adversely affect its performance and/or reliability.*
- *Always store attachment in a secure position so that it will not fall over.*
- *Lightweight power machines may need weight added to the rear to maintain steering control and prevent forward and/or side tipping. Consult your power machine Operator's Manual to determine proper weight requirements and maximum limitations.*
- *Follow recommendations in the power machine Operator's Manual when parking or dismounting the power machine, skid steer or tractor.*
- *Always lower the attachment to ground level and fully close the jaw before dismounting the power machine.*
- *Wear appropriate personal protective gear. Include eye protection when appropriate and when operating a power machine without an enclosure or protective shield. Dust and debris can get into the eyes.*
- *Never make contact with underground utilities such as electrical power lines, gas lines, phone lines, etc. They can cause serious injury or death from electrocution, explosion, or fire. Always call 811 (USA) or local utility companies before digging so that they can mark the location of underground services in the area. For contact information, see Dig Safe in the "Important Safety Information" starting on page 1.*
- *Avoid exposure to dust containing crystalline silica*

*particles. This dust can cause serious injury to the lungs (silicosis). Because crystalline silica is a basic component of sand and granite, many activities at construction sites produce dust containing crystalline silica. Trenching, sawing, and boring of material containing crystalline silica can produce dust containing crystalline silica.*

## General Inspection

Make the following inspections with grapple attached to a skid steer/tractor that is parked on a level surface.

1. Complete Operating Checklist table provided above.
2. Inspect skid steer/tractor safety equipment to make sure it is in good working condition and that all safety alert decals are visible and readable. Replace all missing and unreadable safety alert decals.
3. Inspect hitch connections. Make sure the loader hitch is secured under grapple's top angle bars, lock pins extend fully through bottom slots in grapple hitch, and handles are locked down.
4. Consult your skid steer/tractor Operator's Manual to determine if ballast is required. Add ballast if needed.
5. Inspect condition of hydraulic hoses, fittings, and valves before starting the machine. Make sure hoses are not pinched, kinked, twisted, or frayed and that they will not contact moving parts.
6. Hose sleeves help protect hoses from wear and operator from oil sprays. Inspect hose sleeves to make sure they are properly secured to the hydraulic hoses, are not torn, and are not worn thin. Replace hose sleeve if worn thin, torn, or not properly secured to hydraulic hoses.
7. Operate hydraulic controls to verify control lever movements function properly and equipment movements are correct. Make any necessary changes to controls and hydraulic connections before putting the equipment into service.
8. Operate grapple through its full range of movements to check for clearances.
9. Purge hydraulic system of trapped air by operating all hydraulic functions several times before putting unit into service. Refer to "**Purge Hydraulic System**" on page 12 in this manual and your skid steer/tractor Operator's Manual if any hydraulic function continues to operate erratic.

## Section 2: Operating Procedures

### Transport Safety

#### DANGER

To avoid serious injury or death:

Keep attachment, loader arms, and/or load away from overhead electrical power lines. Place an orange warning sign under overhead lines indicating type of danger above.

#### WARNING

To avoid serious injury or death:

- Follow all safety precautions when transporting a load. Not using safe transporting methods can damage the equipment and cause serious injury or death.
- Always transport loads as close to the ground as possible without hitting objects. A load carried high could shift causing the load to fall, tipping of the machine, and/or loss of control.
- Always transport over ramps and inclines with the heavy end of the power machine on the “uphill” side. This may require one to drive up or back down inclines.
- Always travel straight up and straight down inclines. Never make turns on the incline.
- Transporting loads across inclines, over ramps, on bumpy, soft, or slippery surfaces reduces machine stability and lift capacity. Transporting and lifting loads under these conditions is extremely dangerous. Follow all transport instructions in your power machine Operator’s Manual.
- When traveling on public roadways, travel in such a way that faster moving vehicles may pass safely. Use hazard lights, clean reflectors, and a slow moving vehicle sign that is visible from the back to warn operators in other vehicles of your presence. Always comply with all federal, state, and local laws.

### Grapple Operation

#### Picking-Up A Load

#### WARNING

To avoid serious injury or death:

- Keep bystanders at a safe distance when entering and picking up a load. Objects can shift or be thrown suddenly as the attachment makes contact with load causing serious injury or death.
- Enter pick-up zone carefully making sure no object will come through or pass the attachment into the operator’s space.

**IMPORTANT:** Do not ram attachment into a pile or hook a chain to the attachment to secure a load. Doing so can damage the attachment.

**IMPORTANT:** Close upper jaw with care when lifting fragile or hollow objects such as a crate. This will help protect the object from being crushed.

1. Be sure to read and understand all safety alerts under “**Operating Safety**” on page 13.
2. Make sure load does not exceed rated lift capacity of the skid steer or tractor being used to lift the load.
3. Check for overhead obstructions.
4. Center grapple on material to be picked up.
5. Make a complete stop in front of material and position grapple at the proper height to enter the pile.
6. Fully open grapple jaw and slowly drive into the pile. Do not ram grapple into pile.
7. Close grapple jaw to secure load.
8. Lift load a few inches and tilt it back slightly.
9. Make sure you have good control of the load. If load is not secure, release and recapture load in a more secure location.
10. If the attachment is to be operated in reverse, make sure visibility to the rear of the power unit is appropriate for the attachment.
11. Back load out of the pile slowly making sure load clears all other obstacles.
12. Not always will load be secured properly in the grapple when pulled free from a pile. Before traveling with a loose load, lower load to ground, release load, and re-clamp load to make it more secure.
13. Position load at a safe, low traveling height before transferring to unloading site.

## Section 2: Operating Procedures

### Traveling With A Load

1. Be sure to read and understand all safety alerts under “**Transport Safety**” on this page.
2. Pedestrians always have the right-of-way.
3. Keep load tilted back slightly.
4. When possible, travel with grapple and load kept low to the ground.
5. Continually scan all sides for pedestrians, other traffic, and obstacles.
6. If load is large and blocks your view, travel in reverse.
7. Always drive at a safe speed and slow down when going around corners. Avoid sudden braking.
8. Leave enough clearance when turning so that the grapple and load does not contact obstacles such as vehicles, buildings, trees, or fences.
9. When traveling over a ramp or incline, keep load on the “uphill” side of skid steer/tractor.
10. When possible, travel straight up and down grades, ramps, and inclines. Avoid making turns on grades, ramps, and inclines.
11. Raise or lower load only when stopped, never while traveling.
12. Slow down when traveling over rough or hilly terrain.
13. Do not transport loads on public roadways.
14. Transport on public roadways without a load and transport in such a way that faster moving vehicles may pass you safely.
15. Plan your route to avoid heavy traffic.

### Releasing A Load

1. Be sure to read and understand all safety alerts under “**Operating Safety**” on page 13.
2. Stop in front of desired location.
3. Slowly raise load to required height.
4. Move forward slowly checking to make sure grapple and load clears all obstacles.
5. Stop forward movement when load is positioned over its release location.
6. Releasing load requires a combination of tilting front of grapple down, raising upper jaw, and raising loader arms. The order in which the load is released will vary depending on type of material being released. The most important objective is to have the load under control throughout the release.
7. Once load has settled onto the pile, slowly back up making sure grapple clears all objects and there are not any pedestrians or other traffic behind or on either side.

8. Leave enough clearance when turning and/or lowering the grapple so that it does not make contact with obstacles such as vehicles, buildings, trees, or fences.
9. Lower grapple to transporting height (low to the ground) before moving again.

### Back Raking With Upper Jaw

**IMPORTANT:** Check full range of motion before rotating attachment down to back rake. See “**Check Equipment Clearances**” on page 12.

1. Be sure to read and understand all safety alerts under “**Operating Safety**” on page 13.
2. Open upper jaw fully and rotate front of grapple down while lowering unit until the tips of the upper teeth touch the ground.
3. Back-up to rake loose sticks and debris into a pile.
4. For instructions on how to pick-up the raked pile, see “**Picking-Up A Load**” on page 15.

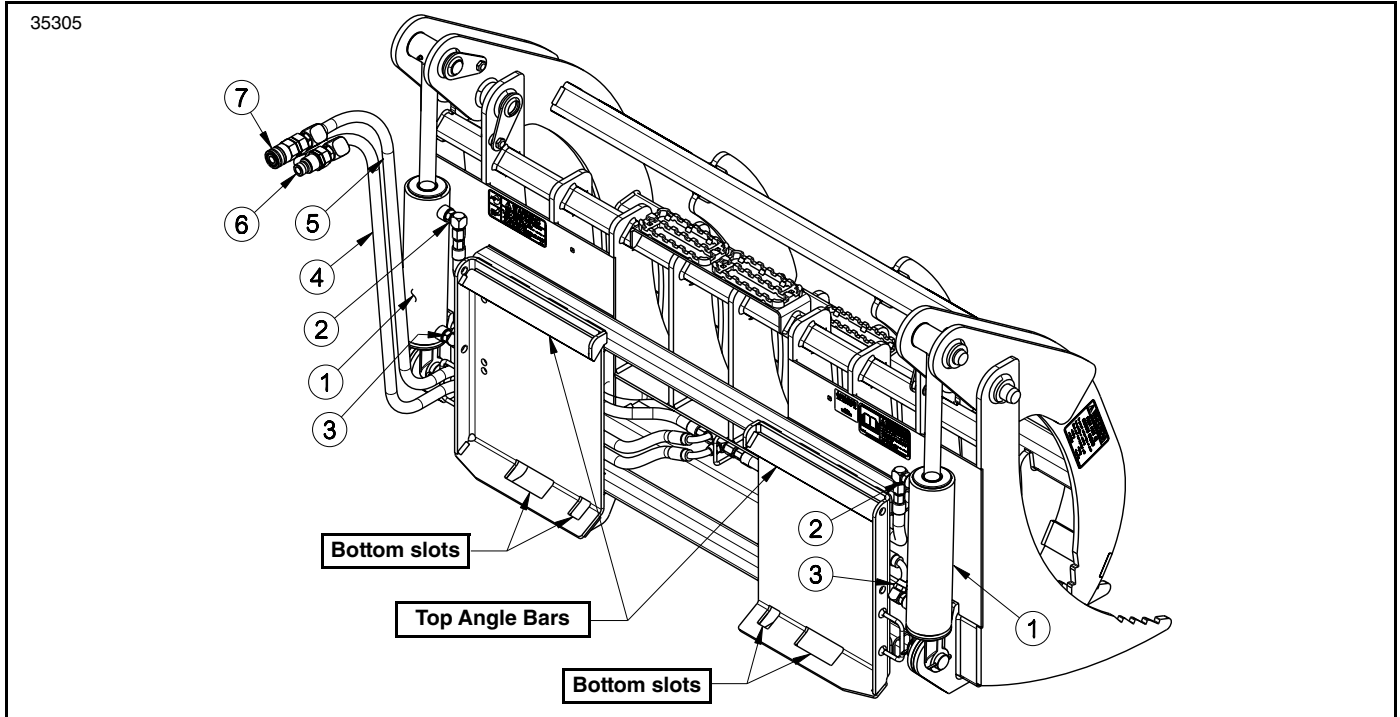
### Ripping Out Bushes

1. Be sure to read and understand all safety alerts under “**Operating Safety**” on page 13.
2. Open upper jaw halfway.
3. Rotate front of grapple down while lowering unit until upper teeth extend into the ground on the far side of the bush and lower teeth are on the near side.
4. Close grapple jaws around the roots of the bush.
5. Raise grapple up to rip bush from ground.

### Break Sod With Lower Jaw

**IMPORTANT:** Do not operate attachment with lower teeth extending very deep into the ground. Doing so can damage equipment.

1. Be sure to read and understand all safety alerts under “**Operating Safety**” on page 13.
2. Open upper jaw halfway.
3. Lower grapple until bottom teeth start to go into the ground. Do not go very deep into the ground.
4. Drive forward to break up sod and push debris ahead of attachment.



Disconnect Grapple  
Figure 2-1

## Disconnect Grapple

Refer to Figure 2-1:

1. See “**Long-Term Storage**” on page 19 when parking the grapple for long periods or at the end of a working season.
2. Park power machine on a flat, level, solid surface and lower grapple onto the surface.
3. Shut power machine down according to “**Power Machine Shutdown Procedure**” on page 8.
4. With grapple resting on the ground, release all hydraulic system pressures before disconnecting hydraulic hoses from the power machine:

### Skid Steer/Track Loader

See Skid Steer Operator’s Manual for instructions on how to release all hydraulic system pressures.

### Tractor

Operate all hydraulic control levers back and forth several times to release all hydraulic system pressures.

5. Disconnect hydraulic hoses (#8 & #9) from skid steer/tractor and store hoses on the grapple.

6. Disengage lock mechanism:

#### Mechanical Lock Mechanism:

- a. Pull lock handles fully up to remove locking pins from the grapple’s bottom slots.
- b. Return to the power machine, start machine, and continue with step 7 below.

#### Hydraulic Lock Mechanism:

- a. Return to the power machine, start power machine, and hydraulically disengage quick hitch locking pins from the grapple’s bottom slots.
- b. Continue with step 7 below.

7. Extend tilt cylinder to rotate top of loader hitch plate slightly forward.
8. Slowly lower the grapple until the grapple’s top angle bars and the loader’s hitch plate have separated.
9. Back power machine slowly away from the grapple while making sure the loader hitch plate does not interfere with the grapple or the disconnected hydraulic hoses.

## General Operating Instructions

By now you should have familiarized yourself with the Operator's Manual for your Claw Grapple. If you haven't, please do so now. Proceed by getting onto the seat of your tractor or skid steer and starting it up. It isn't going to take you long to learn how to use your new Kubota Claw Grapple, but we do recommend that you take a little time to practice securely attaching and detaching your grapple to and from your mounting plate. It is also important to practice lifting, lowering, maneuvering, and placing a load until you gain the confidence and skill needed to have a good feel in what you are doing. We cannot overstress the importance of following the safety information and operating procedures that are spelled out in this Operator's Manual.

As you quickly become more skilled and adept in using your Claw Grapple, you will soon learn that it is always more important to focus on the "don'ts" than it is to focus on the "dos." For example, don't exceed the lift capacity of your grapple, tractor, or skid steer. Don't lift your load too high creating an unstable load and unsafe situation. Don't tilt your load too far backwards, setting up a situation that could cause your load to roll or spill backwards onto you, the tractor, and the operator's platform. Don't drive too fast for your ground and load conditions. Don't work on or around slippery or sloped areas that could cause you to lose control of the tractor or skid steer. Don't allow pedestrians, pets, or livestock to approach the danger zone of your working area. Don't leave your tractor or loader with grapple jaw opened and grapple raised above ground level.

If attachment is to be operated in reverse, make sure visibility to the rear of the power unit is appropriate for the attachment.

If you just follow these few safety reminders, you will find that you will quickly become very adept, handy, and skillful at using your Kubota Claw Grapple.

See "**Specifications & Capacities**" on page 21 and "**Features & Benefits**" on page 22 of your Operator's Manual for additional information.

**Section 3: Maintenance & Lubrication**

**Maintenance**

Proper servicing and adjustment are key to the long life of any attachment. With careful inspection and routine maintenance, you can avoid costly downtime and repair.

Check all bolts and pins after using the grapple for several hours and on a regular basis thereafter to ensure they are tight and secured.

Check hitch fit-up, hydraulic hoses, and fittings on a regular basis to ensure trash or other objects have not loosened the hitch connection or damaged hydraulic hoses and fittings.

Replace worn, damaged, or missing grapple parts only with genuine Kubota parts.

Replace illegible or missing safety labels by obtaining new labels from your Kubota dealer.

**DANGER**

*To avoid serious injury or death:*

*Always secure equipment with solid, non-concrete supports before working under it. Never go under equipment supported by concrete blocks or hydraulics. Concrete can break, hydraulic lines can burst, and/or hydraulic controls can be actuated even when power to the hydraulics is off.*

**WARNING**

*To avoid serious injury or death:*

- *Make sure controls are all in the neutral position or park before starting the power machine.*
- *Check hitch fit-up frequently. An improper fit-up can result in the attachment falling from the loader hitch plate.*
- *Check hydraulic hoses and fittings frequently. Brush and other debris can damage hoses and fittings causing the load to release and fall.*
- *Perform scheduled maintenance. Check for loose hardware, missing parts, broken parts, structural cracks, and excessive wear. Make repairs before putting the implement back into service.*
- *Do not alter attachment or replace parts on the attachment with other brands. Other brands may not fit properly or meet OEM (Original Equipment Manufacturer) specifications. They can weaken the integrity and impair the safety, function, performance, and life of the attachment. Replace parts only with genuine OEM parts.*

**Skid Steer/Tractor Maintenance**

One of the most important things you can do to prevent hydraulic system problems is to ensure your skid steer/tractor reservoir remains free of dirt and contamination.

Use a clean cloth to wipe hose ends before attaching them to your skid steer/tractor. Replace your skid steer/tractor's hydraulic filter element at the prescribed intervals. These simple maintenances will go a long way to prevent occurrence of control valve and hydraulic cylinder problems.

**Long-Term Storage**





Clean, inspect, service, and make necessary repairs to the attachment when storing it for long periods and at the end of the season. This will help to ensure the unit is ready for field use the next time you connect to it.

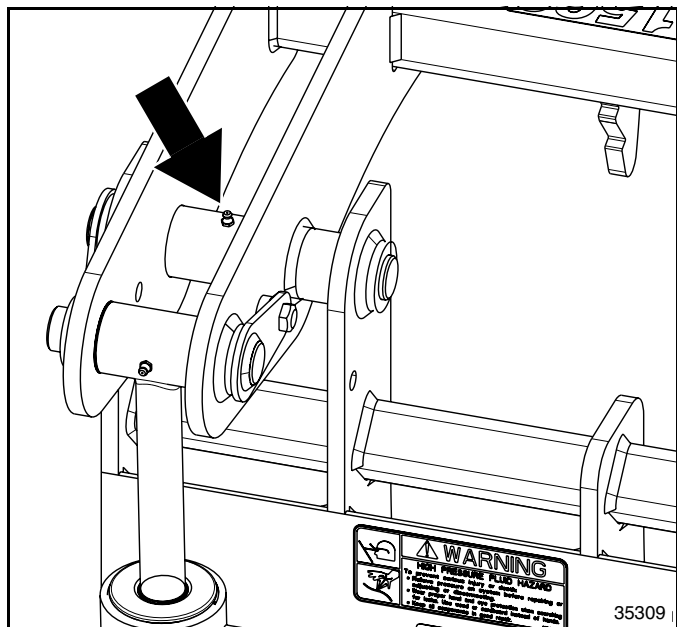
1. Clean off any dirt and grease that may have accumulated on the grapple. Scrape off compacted dirt and then wash its surface thoroughly with a garden hose.
2. Inspect grapple for loose, damaged, or worn parts and adjust or replace when needed.
3. Repaint parts where paint is worn or scratched to prevent rust. Ask your Kubota dealer for aerosol touch-up paint. Paint is also available in touch-up bottles with brush, quarts, and gallon sizes by adding TU, QT, or GL to the end of the aerosol part number.



Touch-Up Paint	
Part No.	Part Description
821-070C	GLOSS BLACK ENAMEL SPRAY CAN
821-070CTU	GLOSS BLACK ENAMEL BOTTLE & BRUSH
821-070CQT	GLOSS BLACK ENAMEL QUART
821-070CGL	GLOSS BLACK ENAMEL GALLON

4. Replace all damaged or missing guards & decals.
5. Lubricate as noted in “**Lubrication Points**” starting on page 20.
6. Store grapple on a level surface in a clean, dry place. Inside storage will reduce maintenance and make for a longer grapple life.
7. Do not allow children to play on or around the stored grapple.

### Lubrication Points

<b>Lubrication Legend</b>	 Multi-purpose spray lube	 Multi-purpose grease lube	 Multi-purpose oil lube	 50 Hrs	Intervals in hours at which lubrication is required



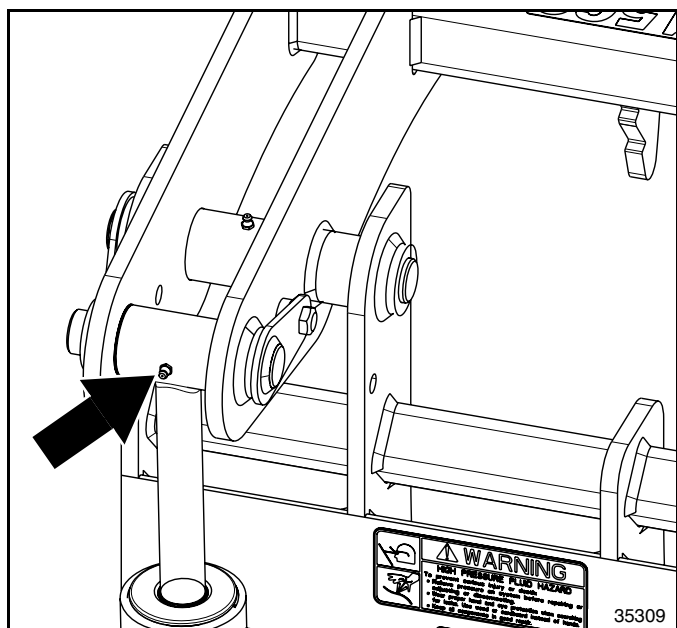
	 10 Hrs
---	--



#### Jaw Pivot Points

2- Zerks (1 per side)

Type of Lubrication: Multi-purpose Grease

Quantity = As required (make sure grease is visible)



	 10 Hrs
---	--

#### Hydraulic Cylinder Pivot Points

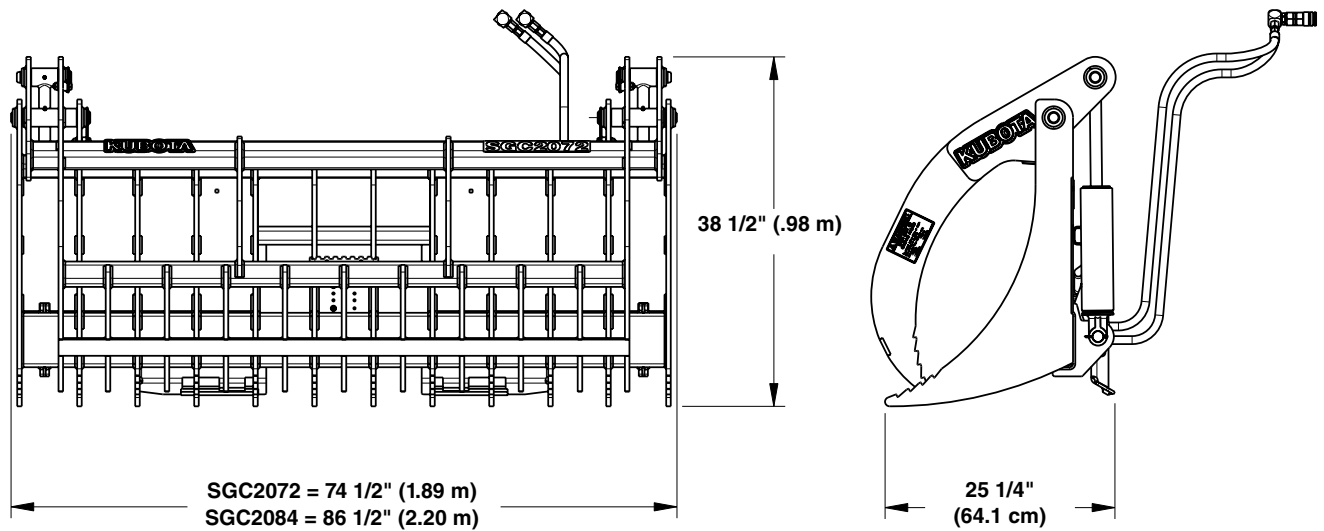
2 - Zerks (1 per cylinder)

Type of Lubrication: Multi-purpose Grease

Quantity = As required (make sure grease is visible)

### SGC20 Series

Specifications			
		SGC2072	SGC2084
<b>Weight</b>	lbs (kg)	895 (406)	999 (453.1)
<b>Width</b>	in (m)	74 1/2 (1.89)	86 1/2 (2.20)
<b>Closed Height</b>	in (m)	38 1/2 (.98)	38 1/2 (.98)
<b>Number of Teeth</b>		12 Bottom & 11 Top	14 Bottom & 13 Top
<b>Teeth Spacing</b>	in (cm)	6 (15.2)	
<b>Tooth Thickness</b>	in (mm)	1/2 (13)	
<b>Working Length of Teeth</b>	in (cm)	14 3/4 (37.5)	
<b>Hydraulic Cylinder</b>	in (cm)	3 x 10 x 1 1/4 (7.6 x 25.4 x 3.2) Rod	
<b>Maximum Pressure Rating</b>	psi (mPa)	3500 (24.1)	



37769

**SGC20 Series**

Features	Benefits
<b>Attaches to power equipment easily</b>	Uses Skid Steer Quick Hitch design for quick and easy attachment.
<b>Designed to fit Skid Steer Loaders and Front Tractor Loaders</b>	The quick attach plate mounted grapple can be attached to a wide variety of machines. Note: Tractor Loaders must be fitted with a Skid Steer universal quick attach mounting system.
<b>Designed to protect hydraulic hoses</b>	Hydraulic hoses routed to prevent pinching.
<b>Greasable hardened bushings at all pivot locations</b>	Bushings can be replaced if needed.
<b>1 1/4" Pivot pins</b>	Large diameter pins for extra strength.
<b>Dual hydraulic cylinders</b>	Allows upper jaw to grip the material better.
<b>AR400 teeth material</b>	Stronger than Grade 80 plus increased resistance to abrasion.

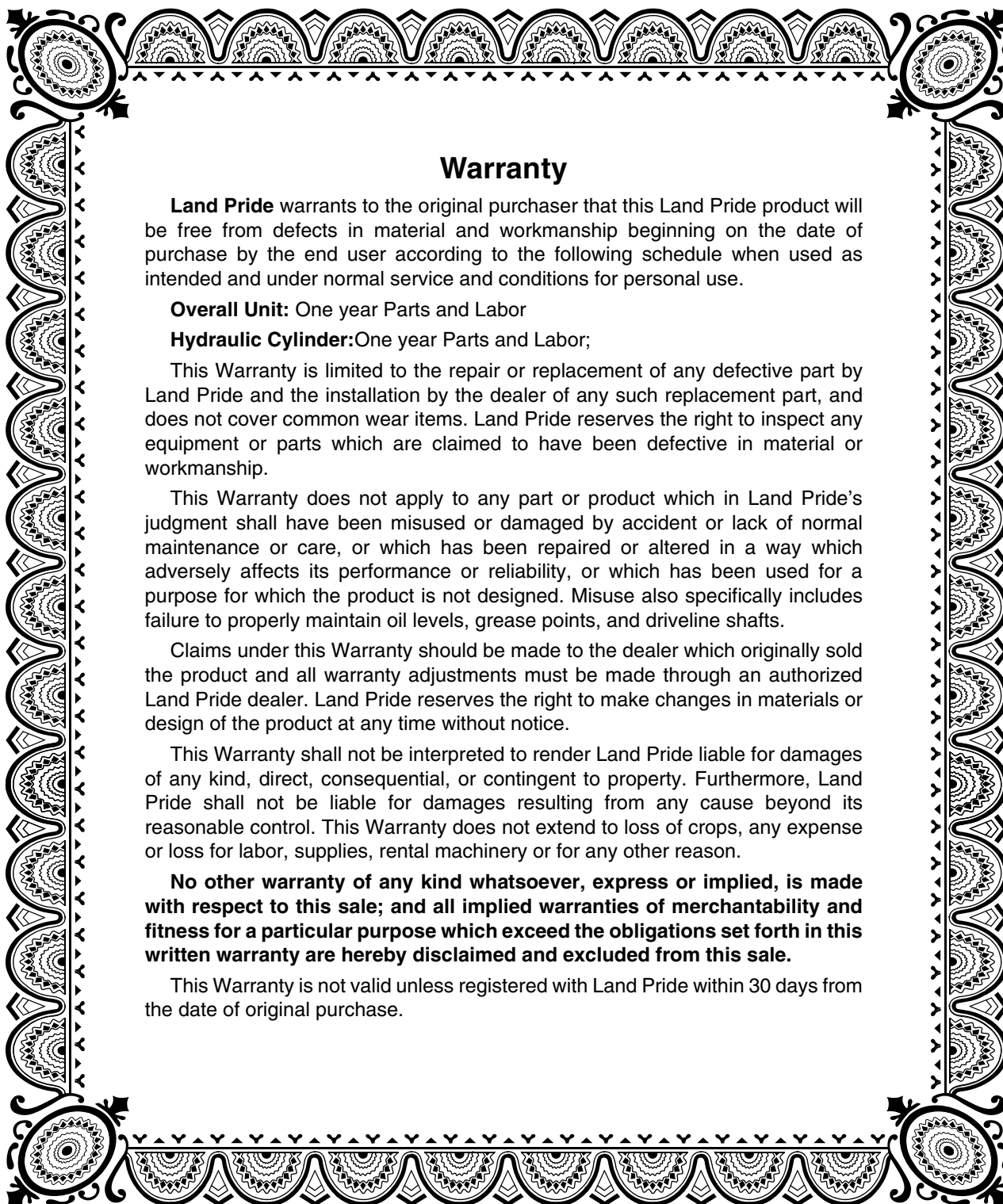
### Troubleshooting Chart

Problem	Cause	Solution
<b>Cannot lift load</b>	Insufficient power to lift load.	Reduce load on grapple or switch to a skid steer or tractor that is rated for more lift capacity.
<b>Hydraulic hoses are stretched and/or damaged</b>	Hydraulic hoses are catching on tree limbs, debris, or other solid objects.	Replace hydraulic hoses. Stay away from objects that can catch on hydraulic hoses. Stop immediately if hoses are catching on an object and remove object. If helpful, readjust hose routing.
<b>Hydraulic fittings are damaged</b>	Hydraulic hoses and/or fittings are catching on tree limbs, debris, or other solid objects causing fittings to become damaged.	Replace hydraulic fittings. Stay away from objects that can catch on hydraulic hoses. Stop immediately if hoses are catching on an object and remove object. If helpful, readjust hose routing.
<b>Jaws don't sufficiently clamp tight on a load</b>	A load taken from a pile can be too bulky to properly clamp while in the pile.	Re-clamp load once load is free from pile.
<b>Upper jaw does not operate</b>	Hydraulic hoses are not coupled to skid steer/tractor.	Reattach couplers to skid steer/tractor.
	Hydraulic hoses and/or fittings are damaged.	See “ <b>Hydraulic hoses are stretched and/or damaged</b> ” and “ <b>Hydraulic fittings are damaged</b> ” above.
<b>Load is shifting</b>	Hitch is not properly attached to skid steer/tractor.	Always make certain hitch is properly attached before lifting a load. Reattach hitch to skid steer/tractor if loose.
	Load is being carried too high.	Recommended carrying height is as close to ground as possible without hitting objects.
	Traveling and/or turning too fast.	Reduce speed to a safe non-bouncing speed.
	Traveling sideways to an incline.	Travel straight up and down inclines.
	Jaws not clamped tight against the load.	Re-clamp load once load is free from pile.
	Load is not centered in grapple.	Center load on grapple.
	Traveling with bottom teeth tilted down at the front.	Keep load slightly tilted back to secure its weight against the bottom grapple teeth.
	Teeth are bent.	Straighten bent teeth.
<b>Teeth are bending or breaking</b>	The load's center of gravity is not centered in the grapple.	Reposition load so that the load's center of gravity is centered in the grapple.
	Load is too heavy for the grapple.	Lift lighter loads.
	Ramming grapple into the ground or load.	Never ram with grapple.
	Striking solid objects with the grapple.	Watch for objects while moving and allow clearance when making turns. Inspect area thoroughly before working in it and place markers, such as flags, to indicate potential hazards.
	Prying objects out of the ground.	Never use grapple to pry objects.
	Wedging objects between teeth with upper jaw.	Do not wedge objects between teeth with upper jaw.

Torque Values Chart for Common Bolt Sizes													
Bolt Size (inches)	Bolt Head Identification						Bolt Size (Metric)	Bolt Head Identification					
	Grade 2		Grade 5		Grade 8			Class 5.8		Class 8.8		Class 10.9	
in-tpi <sup>1</sup>	N·m <sup>2</sup>	ft-lb <sup>3</sup>	N·m	ft-lb	N·m	ft-lb	mm x pitch <sup>4</sup>	N·m	ft-lb	N·m	ft-lb	N·m	ft-lb
1/4" - 20	7.4	5.6	11	8	16	12	M 5 X 0.8	4	3	6	5	9	7
1/4" - 28	8.5	6	13	10	18	14	M 6 X 1	7	5	11	8	15	11
5/16" - 18	15	11	24	17	33	25	M 8 X 1.25	17	12	26	19	36	27
5/16" - 24	17	13	26	19	37	27	M 8 X 1	18	13	28	21	39	29
3/8" - 16	27	20	42	31	59	44	M10 X 1.5	33	24	52	38	72	53
3/8" - 24	31	22	47	35	67	49	M10 X 1.25	35	26	53	39	76	56
7/16" - 14	43	32	67	49	95	70	M12 X 1.75	58	42	91	67	125	93
7/16" - 20	49	36	75	55	105	78	M12 X 1.5	60	44	95	70	130	97
1/2" - 13	66	49	105	76	145	105	M12 X 1	90	66	105	77	145	105
1/2" - 20	75	55	115	85	165	120	M14 X 2	92	68	145	105	200	150
9/16" - 12	95	70	150	110	210	155	M14 X 1.5	99	73	155	115	215	160
9/16" - 18	105	79	165	120	235	170	M16 X 2	145	105	225	165	315	230
5/8" - 11	130	97	205	150	285	210	M16 X 1.5	155	115	240	180	335	245
5/8" - 18	150	110	230	170	325	240	M18 X 2.5	195	145	310	230	405	300
3/4" - 10	235	170	360	265	510	375	M18 X 1.5	220	165	350	260	485	355
3/4" - 16	260	190	405	295	570	420	M20 X 2.5	280	205	440	325	610	450
7/8" - 9	225	165	585	430	820	605	M20 X 1.5	310	230	650	480	900	665
7/8" - 14	250	185	640	475	905	670	M24 X 3	480	355	760	560	1050	780
1" - 8	340	250	875	645	1230	910	M24 X 2	525	390	830	610	1150	845
1" - 12	370	275	955	705	1350	995	M30 X 3.5	960	705	1510	1120	2100	1550
1-1/8" - 7	480	355	1080	795	1750	1290	M30 X 2	1060	785	1680	1240	2320	1710
1-1/8" - 12	540	395	1210	890	1960	1440	M36 X 3.5	1730	1270	2650	1950	3660	2700
1-1/4" - 7	680	500	1520	1120	2460	1820	M36 X 2	1880	1380	2960	2190	4100	3220
1-1/4" - 12	750	555	1680	1240	2730	2010							
1-3/8" - 6	890	655	1990	1470	3230	2380							
1-3/8" - 12	1010	745	2270	1670	3680	2710							
1-1/2" - 6	1180	870	2640	1950	4290	3160							
1-1/2" - 12	1330	980	2970	2190	4820	3560							

<sup>1</sup> in-tpi = nominal thread diameter in inches-threads per inch  
<sup>2</sup> N·m = newton-meters  
<sup>3</sup> ft-lb= foot pounds  
<sup>4</sup> mm x pitch = nominal thread diameter in millimeters x thread pitch

Torque tolerance + 0%, -15% of torquing values. Unless otherwise specified use torque values listed above.  
 All locknuts or lubricated fasteners: Use 75% of torque value. (i.e. 1/2"-13 GR5 = 76 ft-lb; 75% of 76 or .75 x 76 = 57 ft-lb)



## Warranty

**Land Pride** warrants to the original purchaser that this Land Pride product will be free from defects in material and workmanship beginning on the date of purchase by the end user according to the following schedule when used as intended and under normal service and conditions for personal use.

**Overall Unit:** One year Parts and Labor

**Hydraulic Cylinder:** One year Parts and Labor;

This Warranty is limited to the repair or replacement of any defective part by Land Pride and the installation by the dealer of any such replacement part, and does not cover common wear items. Land Pride reserves the right to inspect any equipment or parts which are claimed to have been defective in material or workmanship.

This Warranty does not apply to any part or product which in Land Pride's judgment shall have been misused or damaged by accident or lack of normal maintenance or care, or which has been repaired or altered in a way which adversely affects its performance or reliability, or which has been used for a purpose for which the product is not designed. Misuse also specifically includes failure to properly maintain oil levels, grease points, and driveline shafts.

Claims under this Warranty should be made to the dealer which originally sold the product and all warranty adjustments must be made through an authorized Land Pride dealer. Land Pride reserves the right to make changes in materials or design of the product at any time without notice.

This Warranty shall not be interpreted to render Land Pride liable for damages of any kind, direct, consequential, or contingent to property. Furthermore, Land Pride shall not be liable for damages resulting from any cause beyond its reasonable control. This Warranty does not extend to loss of crops, any expense or loss for labor, supplies, rental machinery or for any other reason.

**No other warranty of any kind whatsoever, express or implied, is made with respect to this sale; and all implied warranties of merchantability and fitness for a particular purpose which exceed the obligations set forth in this written warranty are hereby disclaimed and excluded from this sale.**

This Warranty is not valid unless registered with Land Pride within 30 days from the date of original purchase.

**IMPORTANT:** The Online Warranty Registration should be completed by the dealer at the time of purchase. This information is necessary to provide you with quality customer service.

Model Number \_\_\_\_\_

Serial Number \_\_\_\_\_

### Legal Disclaimer

Kubota Corporation notes that specifications and technical information are subject to change without notice and Kubota does not represent or warrant that the information in this publication is completely accurate or current; however, Kubota used reasonable efforts to set forth and include accurate and up to date information in this publication. Kubota disclaims all representations and warranties, whether express or implied, including, but not limited to, warranties of merchantability and fitness for a particular purpose and Kubota shall not be liable for any damages, whether compensatory, direct, indirect, incidental, special, or consequential, arising out of or in connection with the use of this publication, or in the information therein.

The Product(s) described in this Publication are designed and manufactured only for the country in which they are initially wholesaled by Kubota. Kubota does not provide parts, warranty or service for any Product which is re-sold or retailed in any country other than the country for which the Product(s) were designed or manufactured.



**Kubota®**

Kubota HP: <https://www.kubota.com/network/index.html>